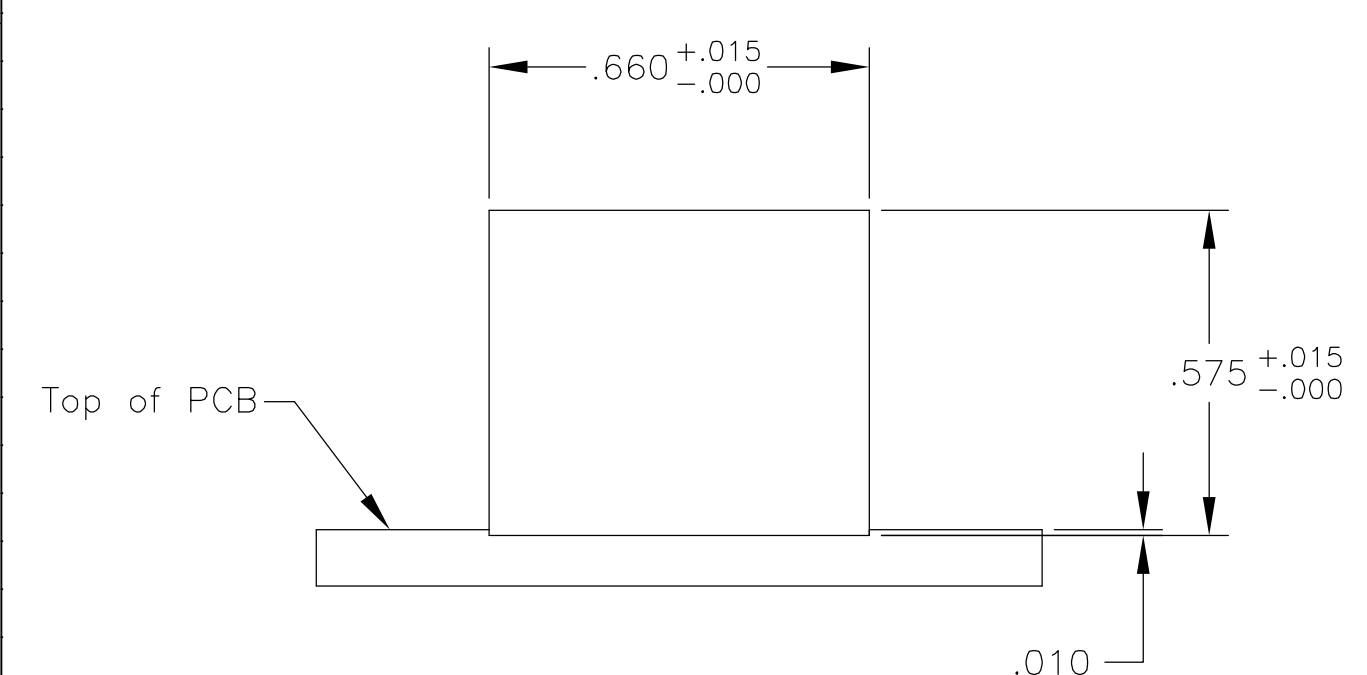
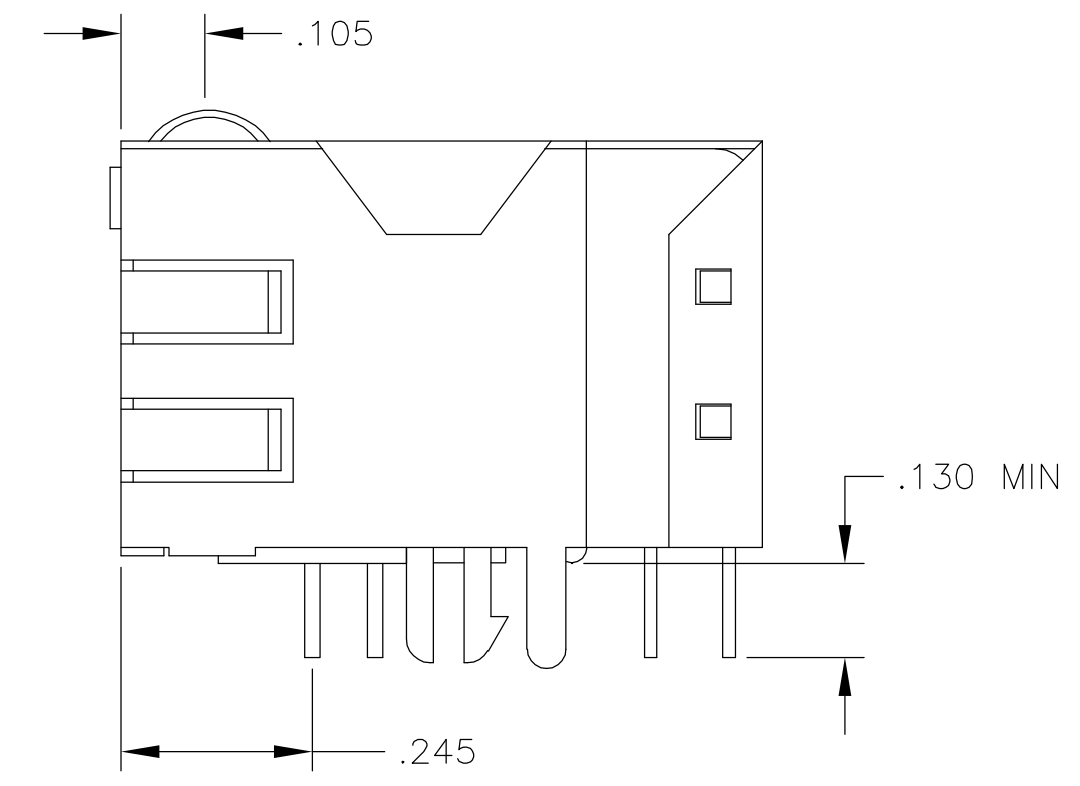
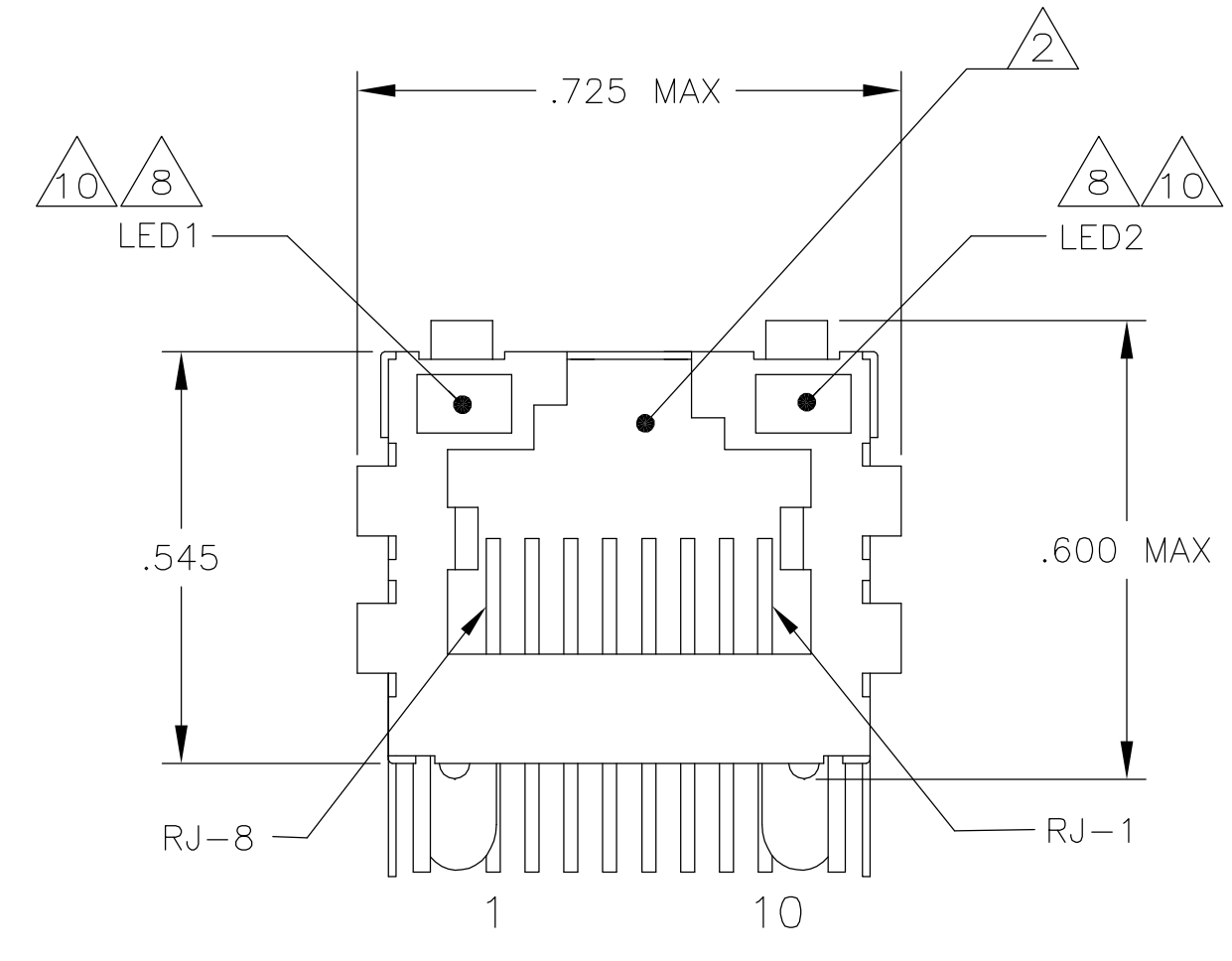
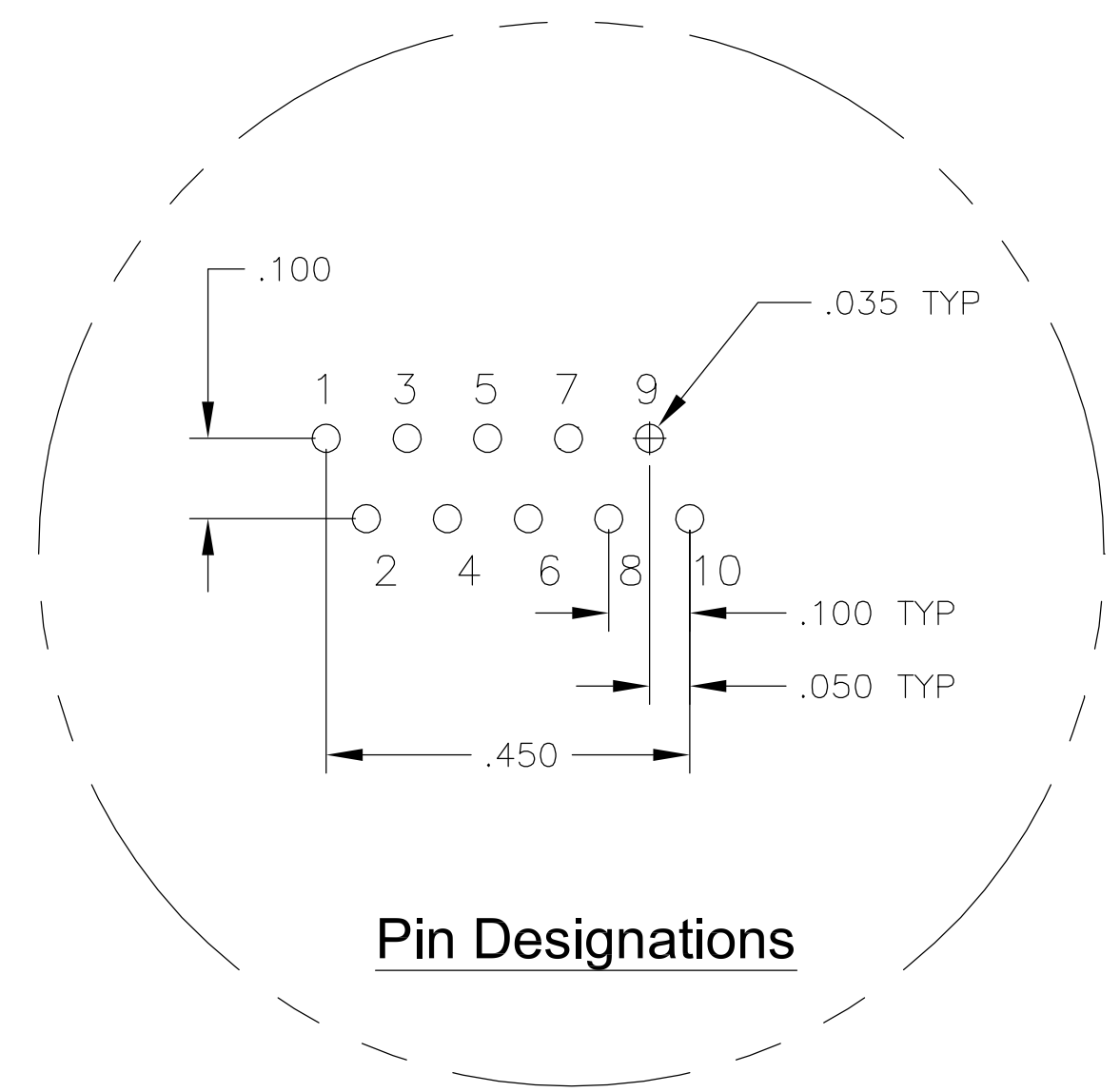
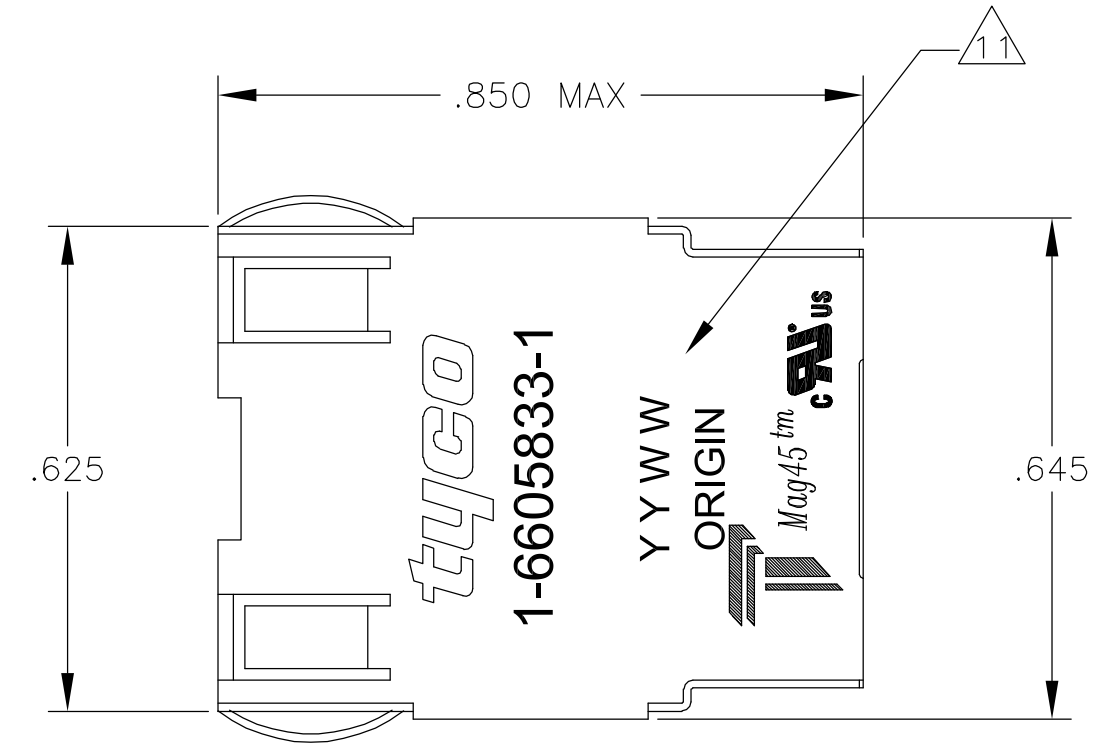
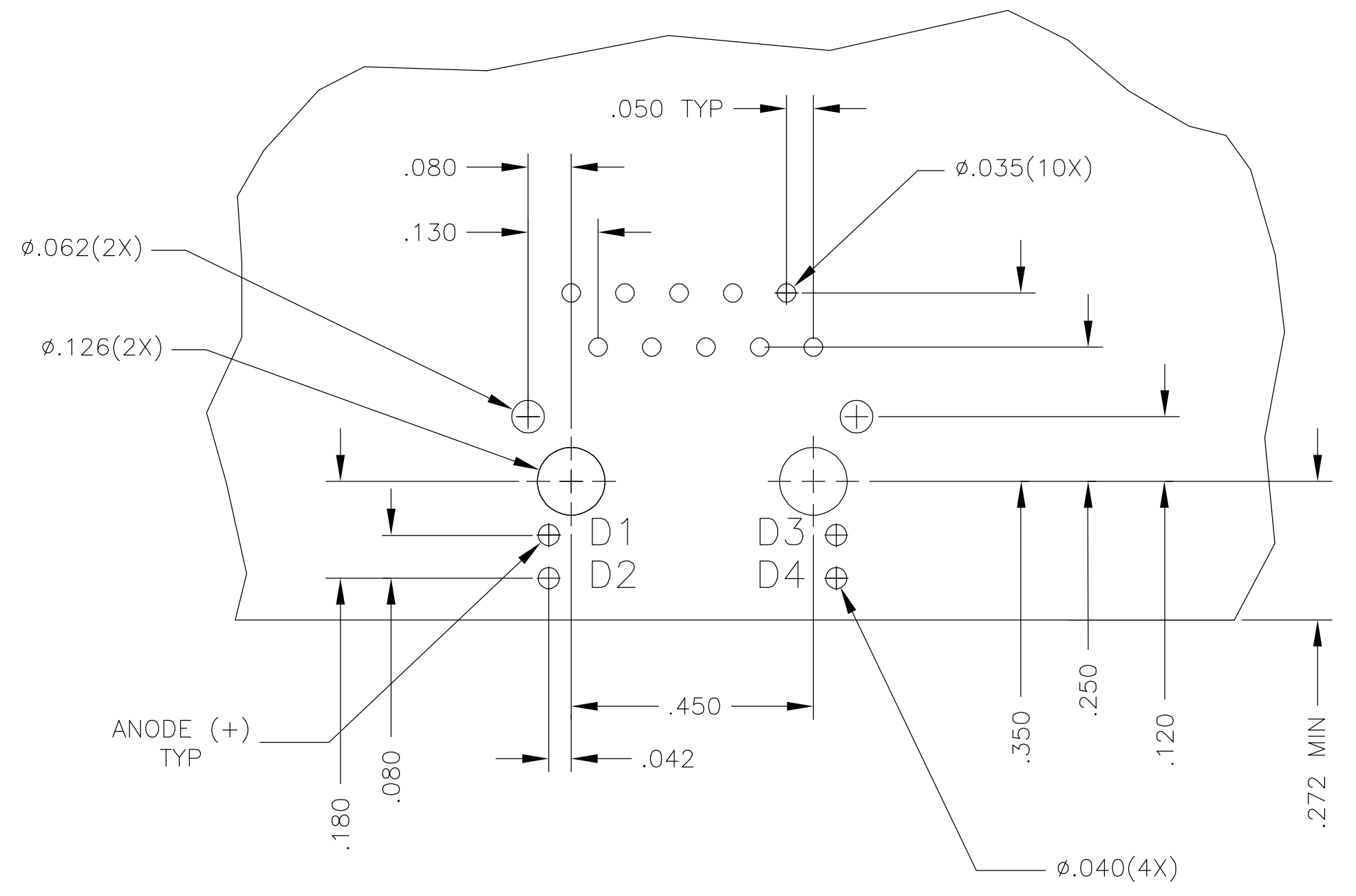
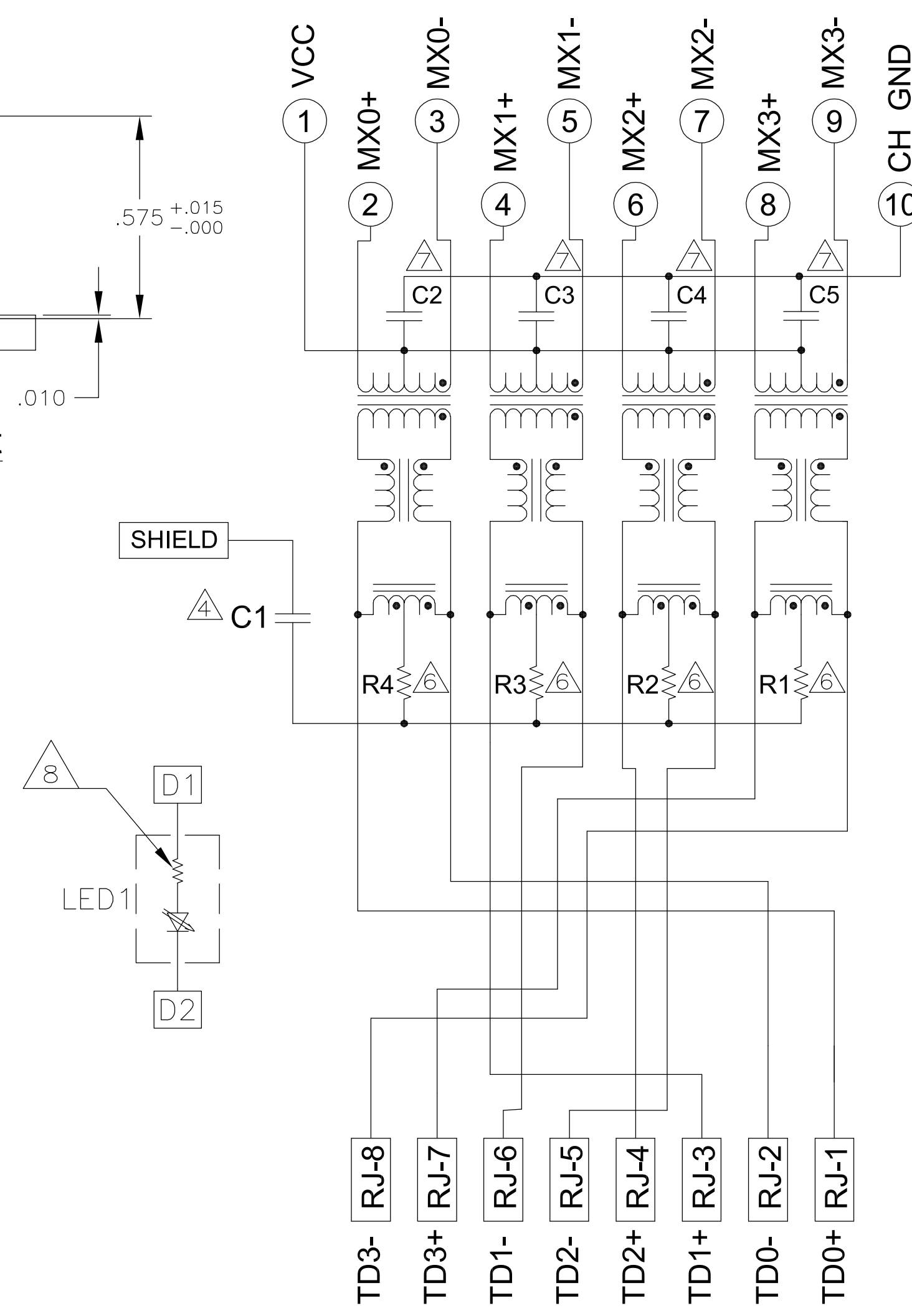


MECHANICAL:

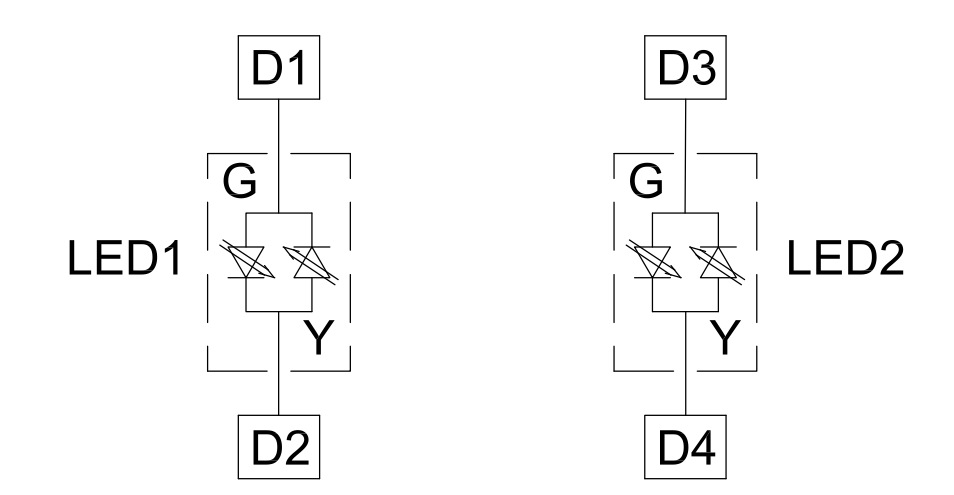


Suggested Panel Cutout

7G05P1 SERIES MAGNETIC CIRCUIT



Suggested PCB Layout (Component Side)



LED CONFIGURATION FOR 6605833-6 ONLY

- △ MATERIALS:
 - HOUSING - THERMOPLASTIC PET POLYESTER FLAMMABILITY RATING UL 94V-0.
 - SHIELD - .010" THICK, C26800 BRASS PREPLATED WITH 30μINCH MIN SEMI-BRIGHT NICKEL, SOLDER TABS POST DIPPED WITH 100μINCH MIN SAC SOLDER.
 - MOD JACK CONTACTS - 0.0157" x 0.018" PHOSPHOR BRONZE, 50μINCH MIN OVERALL NICKEL UNDERPLATE, WITH SELECT 50μINCH MIN HARD GOLD FINISH PLATE. SOLDER TAILS WITH 100μINCH MIN MATTE TIN AND/OR SAC SOLDER DIP.
 - LIGHT EMITTING DIODE(LED) - DIFFUSED EPOXY LENS, .020" x .020" CARBON STEEL WIREFRAME LEADS PRE-PLATED WITH 80μINCH SILVER OVER 40μINCH NICKEL UNDERPLATE OVER 40μINCH COPPER UNDERPLATE, POST-PLATED WITH 100μINCH MIN MATTE TIN AND/OR SAC SOLDER DIP OR PURE TIN SOLDER DIP.
- △ RJ45 JACK CAVITY CONFORMS TO FCC RULES AND REGULATIONS PART 68, SUB PART F.
- △ MAGNETICS
 - IMPEDANCE: 100 OHMS
 - TURNS RATIO (CHIP: CABLE): 1:1 ALL FOUR PAIRS
 - OPEN CIRCUIT INDUCTANCE (OCL): 350μH MIN @100kHz, 0.1VRMS, 8mADC BIAS FROM 0°C TO 70°C, ALL FOUR PAIRS
 - ALL FOUR PAIRS BI-DIRECTIONAL
 - PERFORMANCE @ 25°C:
 - INSERTION LOSS (IL): 1.1dB MAX FROM 0.5MHZ TO 100MHZ
 - RETURN LOSS (RL): 18dB MIN FROM 0.5MHZ TO 4.0MHZ
 - 12-20LOG(f/80)dB MIN FROM 4.0.1MHZ TO 100MHZ
 - CROSSTALK ATTENUATION: 35dB MIN FROM 0.5MHZ TO 4.0MHZ
 - 33-20*LOG(f/50)dB MIN FROM 4.0.1MHZ TO 100MHZ
 - COMMON MODE REJECTION RATIO (CMRR): 30dB MIN FROM 0.5MHZ TO 100MHZ
 - ISOLATION VOLTAGE: COMPLIES WITH IEEE802.3 2002, PARA 4.0.6.1.1, ITEM a or b.
- △ C1 IS 1000 pF, 2KV DECOUPLING CAPACITOR.
- 5. OPERATING TEMPERATURE: FROM 0° TO +70°C.
- △ R1-R4 = 75 OHMS, 1/16 W, 5% RESISTORS.
- △ C2-C5 = 0.1μF, 10%, 50V, X7R CAPACITORS.
- △ LED COMPLIANT WITH IEC60825-1 SAFETY OF LASER PRODUCTS. WHEN OPERATED UP TO 20 mA, THE 250 OHM RESISTOR IS INCLUDED IN THE LEDS FOR 1-6605833-1 ONLY
- △ THE MAGNETICS ARE SYMMETRIC AND SUPPORT AUTO-MDI/MDIX.
- △ LED PEAK WAVELENGTH: GREEN(λ) = 565nm
YELLOW(λ) = 585nm
- △ TRADEMARK, PART NUMBER, DATE CODE, COUNTRY OF ORIGIN AND AGENCY APPROVAL MARK IN APPROXIMATE LOCATION SHOWN.

THIS DRAWING IS A CONTROLLED DOCUMENT.		DIN L VARELA - 04MAR2005		Tyco Electronics Corporation	
DIMENSIONS: INCHES		CHK D FAROLE - 04MAR2005		Harrisburg, PA 17105-3608	
TOLERANCES UNLESS OTHERWISE SPECIFIED:		APVD D FAROLE - 04MAR2005		NAME	
0 PLC	± -	1X1 MAG45(TM), 7G4P1 SCHEMATIC, (10/100/1000 ETHERNET) 705P1 GIGABIT CIRCUIT, SHIELDED, DECOUPLING CAPACITOR, WITH LEDS			
1 PLC	± -	PRODUCT SPEC			
2 PLC	± .010	APPLICATION SPEC			
3 PLC	± .005	SIZE			
4 PLC	± -	CAGE CODE			
ANGLES	± -	DRAWING NO			
MATERIAL		WEIGHT		RESTRICTED TO	
FINISH		A1 00779		6605833	
CUSTOMER DRAWING		SCALE		SHEET 1 OF 1	
		NTS		REV A	